

**Flexy Compact**  
**Heated Plate Dispenser Trolley, 2**  
**cylinders - Ø180-250 mm, 2 tray sliders,**  
**h.750**

ITEM # \_\_\_\_\_

MODEL # \_\_\_\_\_

NAME # \_\_\_\_\_

SIS # \_\_\_\_\_

AIA # \_\_\_\_\_


**322124 (F33HKW)**

 Heated Plate Dispenser  
 Trolley, double cylinder, tray  
 slider on both sides, plate  
 diameter 180-250 mm,  
 H=750

### Short Form Specification

Item No. \_\_\_\_\_

Plate lowerator suitable to warm, transport and distribute plates.  
 Two cylinders plate lowerator: each cylinder can accommodate  
 plates up to 250 mm diameter. Unit has 4 swivel castors, two  
 with brakes. Sturdy construction with laminated panelings on 4  
 sides. AISI 304 Tray slider in flush mounted stainless steel is  
 installed on long sides and they can also be folded down to  
 facilitate passage of the units through doorways.

### Main Features

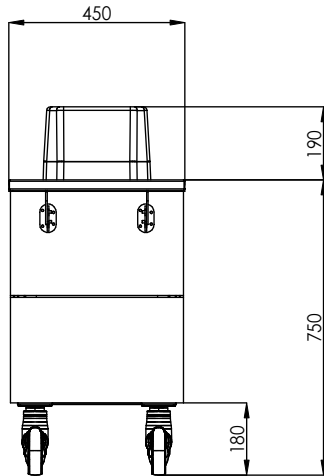
- CB and CE certified by a third party notified body.
- Plate lowerator suitable to warm, transport and distribute plates.
- Sprung cylinders allow plates of different weights to be stacked.
- Perfect compact design makes it ideal for space saving environments.
- AISI 304 Tray slider in flush mounted stainless steel is installed on long sides and they can also be folded down to facilitate passage of the units through doorways.
- Ideal for servery lines without an operator.
- Two cylinders plate lowerator: each cylinder can accommodate plates up to 250 mm diameter.

### Construction

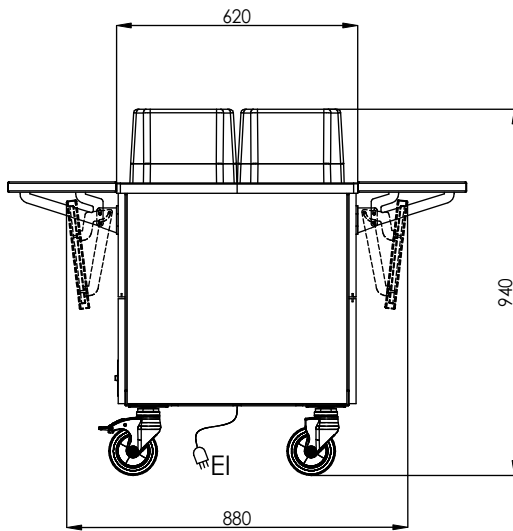
- Sturdy construction with laminated panelings on 4 sides.
- Unit has 4 swivel castors, 2 with brakes.

APPROVAL: \_\_\_\_\_

Front

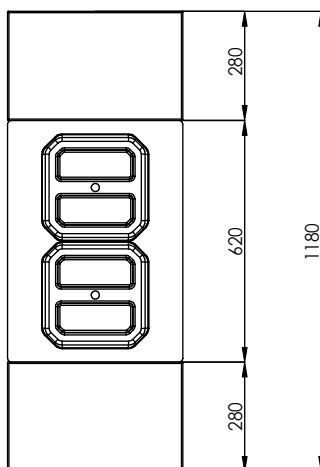


Side



EI = Electrical inlet (power)

Top


**Electric**

Supply voltage: 220-240 V/1N ph/50/60 Hz  
 Electrical power, max: 1.62 kW

**Key Information:**

External dimensions, Width: 1180 mm  
 External dimensions, Depth: 450 mm  
 External dimensions, Height: 940 mm  
 Net weight: 45 kg  
 Wheel material:  
 Wheel diameter: